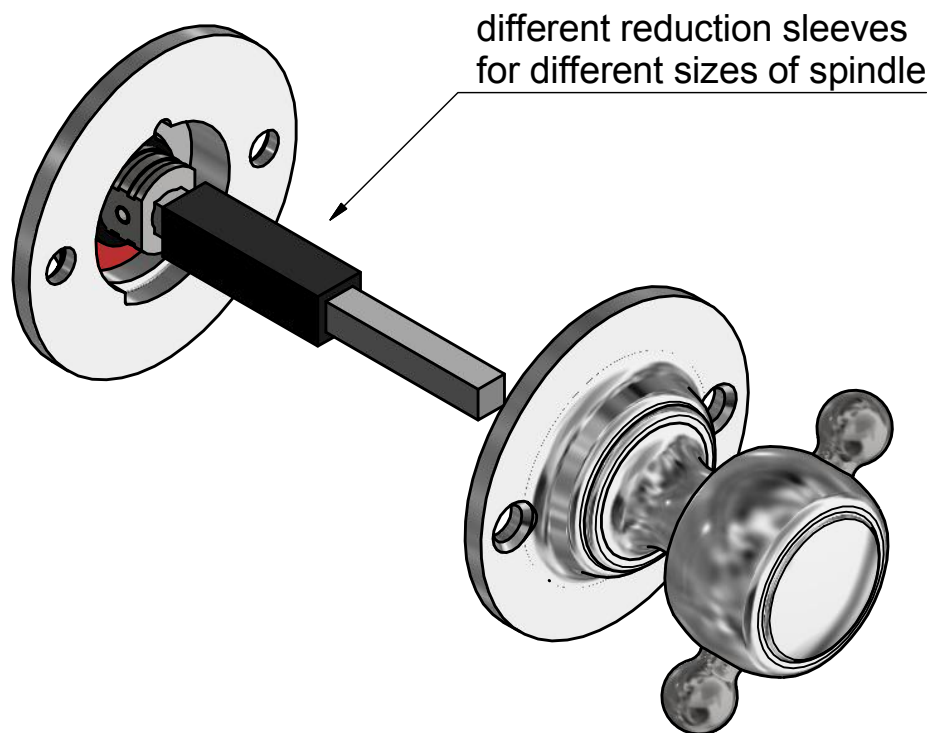
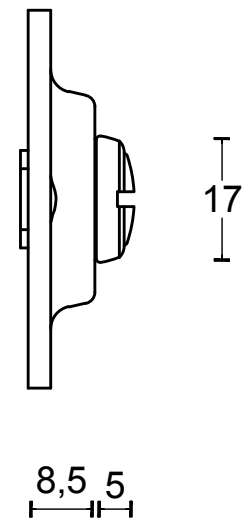
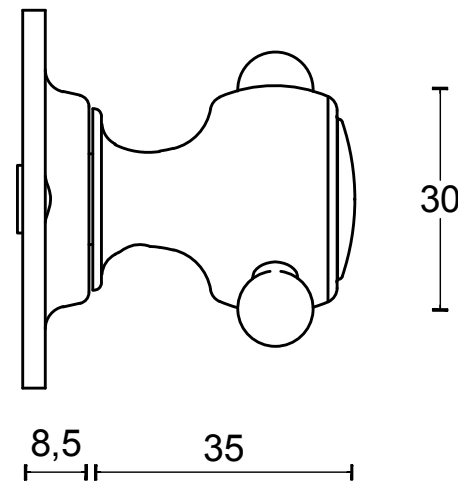
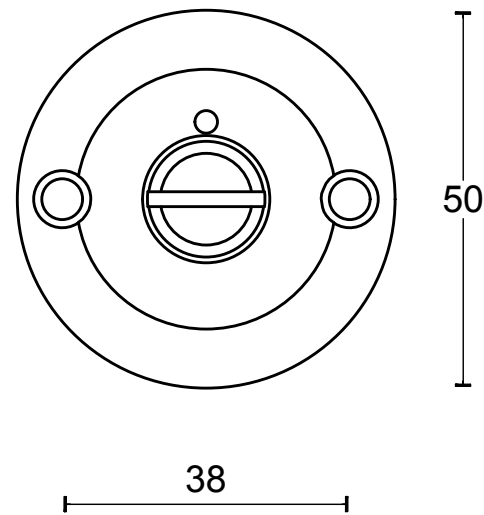
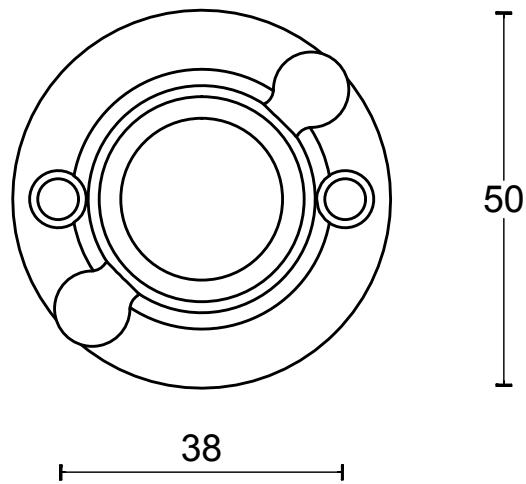
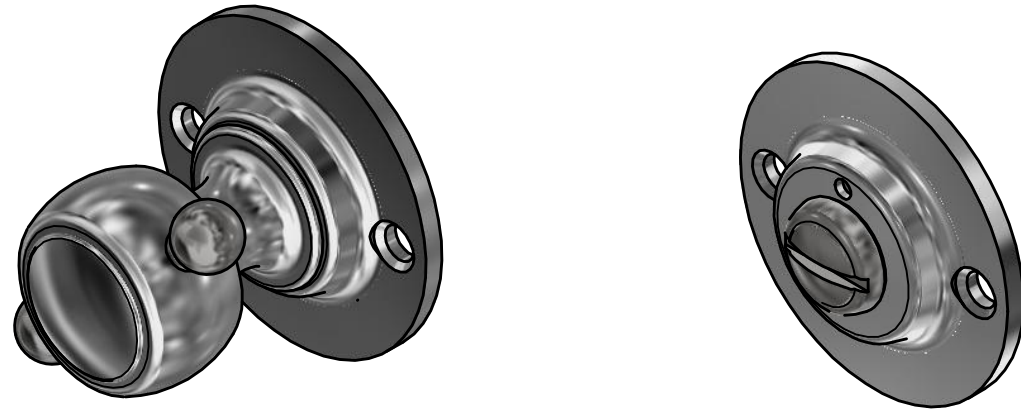


# LZWC50

lever handle accessory  
privacy set  
stainless steel

# METALFORM



FORMANI®		Part number:	
		Description:	
Doc no.:	3401T001 LZWC50 V01.dwg	LZWC50	Format:
Drawn by:	Christian Brimbois		Creation date:
FORMANI HOLLAND B.V. EUROPALAAN 12 6199 AB MAASTRICHT-AIRPORT NL T +31 (0)43 308 90 00 INFO@FORMANI.COM FORMANI.COM		A3	

# METALFORM

**MASTERS OF METAL**

**UNITED KINGDOM**  
**METALFORM**  
**NORWAYMETAL LTD**  
53 Chelsea Manor Street  
London, SW3 5RZ  
**SALES@METALFORM.UK**  
**+44 20 81298814**

**GERMANY**  
**METALFORM GMBH**  
Carl-Zeiss-Ring 15A  
85737 Ismaning  
**SALES@METALFORMGROUP.DE**  
**+49 17663630406**

**NORWAY**  
**METALFORM AS**  
Brochmannsveien 2  
1950 Rømskog  
**SALG@METALFORM.NO**  
**+47 401 62 446**

**METALFORMGROUP**  
**SALES@METALFORMGROUP.COM**