



GL100-G

solid sprung door handle on rose

Product information

Code: 4101D001INXX0

Finish: satin stainless steel

UNIT: Pair

Collection: RIVIO

Designer: Gensler

EAN code: 8718009439586

RIVIO by Gensler

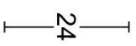
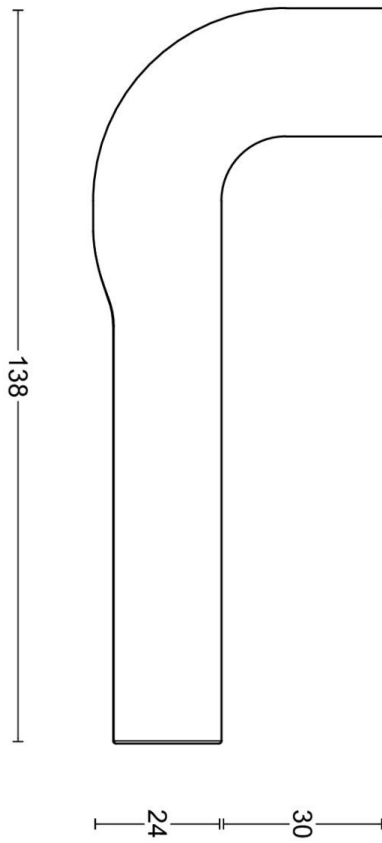
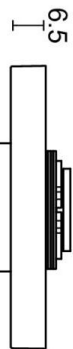
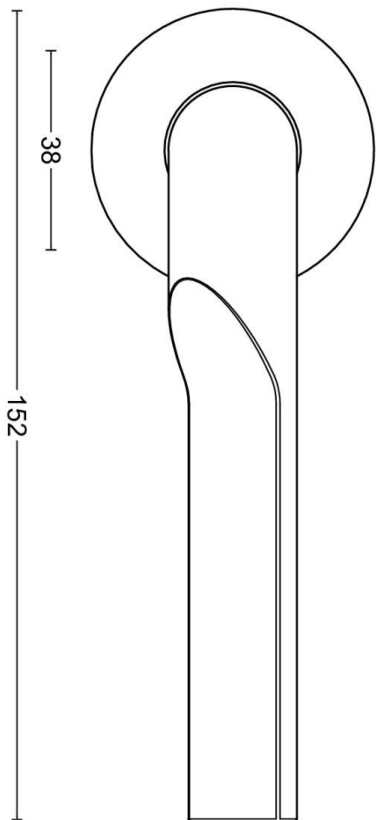
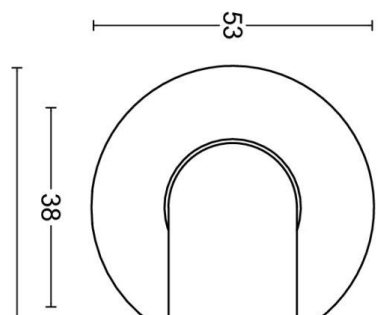
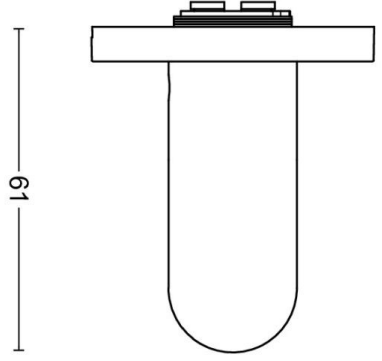
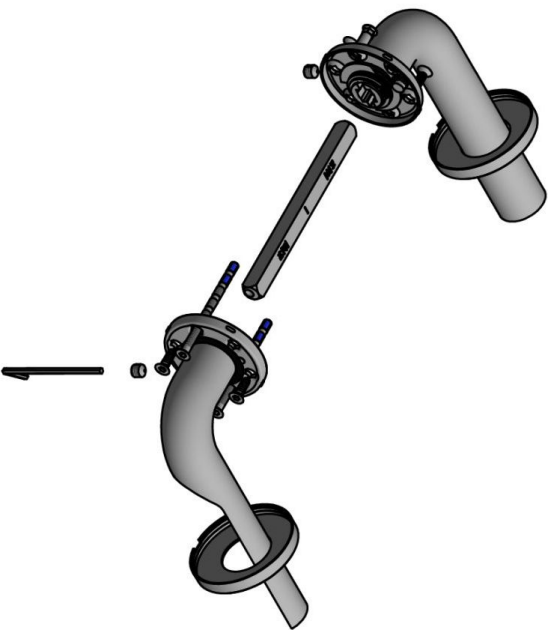
The RIVIO series is a total concept collection consisting of door, window, and furniture fittings.

Finishes

- bronze
- PVD satin gold
- satin stainless steel
- PVD satin black

RIVIO GL100G

solid sprung lever handle attached
to rose with stainless steel sub-rose
stainless steel



| | |
|--|--|
| <p>FORMANI®</p> <p>FORMANI HOLLAND B.V. EUROPAALAN 12 8199 AB MAASTRICHT-AIRPORT NL T +31 (0)43 398 90 00 F +31 (0)43 398 90 01 WWW.FORMANI.COM</p> | |
| Formani filename: 4101D001_GL100G_V01.dwg | |

| | |
|--------------------------|--|
| Drawn by: Semih Aslan | |
| Creation date: 30-8-2022 | |

| | | | |
|--------------|--|----------|-----|
| Type : | RIVIO GL100G | Version: | V01 |
| Description: | solid sprung lever handle attached to rose with stainless steel sub-rose stainless steel | Format: | A3 |

METALFORM

RIVIO

by Gensler

Transition was the watchword for Gensler when designing RIVIO. Based on the transition from something lighter to something more solid, the flowing cutaways allow the thumb and fingers to engage in a uniquely comfortable way, affording a better grip and making opening and closing easier. Carved through the centre of its circular section, the handle continues its way back to the whole at a gentle incline. Ergonomic and elegant, it's offered in two variants, with either a curve or a 90-degree angle leading to the neck and rose.

RIVIO

by Gensler



METALFORM
FORMANI®



Gensler

Design philosophy: Based on the transition from something lighter to something more solid, the flowing cutaways allow the thumb and fingers to engage in a uniquely comfortable way, affording a better grip and making opening and closing easier.

Gensler is a global architecture, design, and planning firm with 53 locations and more than 7,000 professionals networked across the Americas, Europe, Greater China, Asia Pacific, and the Middle East. Founded in 1965, the firm works globally with more than 4,000 clients across more than 29 practice areas spanning the work, lifestyle, community, and health sectors. We are guided by our mission to create a better world through the power of design, and the source of our strength is our people.

**METALFORM
FORMANI®**

Brand story

FORMANI has evolved considerably over the last few decades – from a Dutch family business to an internationally renowned designer brand, from door handles to total design concepts, from product development to collaborations with world-class designers. It was an evolution driven by pure ambition and courage. Our motto, ‘Obsessed with details’, epitomizes everything we do, from product to process, from strategy to service. Because it is these details that make the difference between good and perfect. At FORMANI, good is the enemy of great.

Formani Holland b.v.
Europalaan 12
6199 AB
Maastricht-Airport

T: +31(0)43 308 9000
E: info@formani.com

Chamber of Commerce:
146 27 479

**METALFORM
FORMANI®**

METALFORM

MASTERS OF METAL

UNITED KINGDOM

METALFORM

NORWAYMETAL LTD

53 Chelsea Manor Street

London, SW3 5RZ

SALES@METALFORM.UK

+44 20 81298814

GERMANY

METALFORM GMBH

Carl-Zeiss-Ring 15A

85737 Ismaning

SALES@METALFORMGROUP.DE

+49 17663630406

NORWAY

METALFORM AS

Brochmannsveien 2

1950 Rømskog

SALG@METALFORM.NO

+47 401 62 446

METALFORMGROUP

SALES@METALFORMGROUP.COM