

PBWC23

turn and release set including 5/6/7/8 spindle

Product information

Code: 2701T003INXXU

Finish: satin stainless steel

UNIT: Set

Collection: TWO

Designer: Piet Boon

EAN code: 8718009346082

TWO by Piet Boon

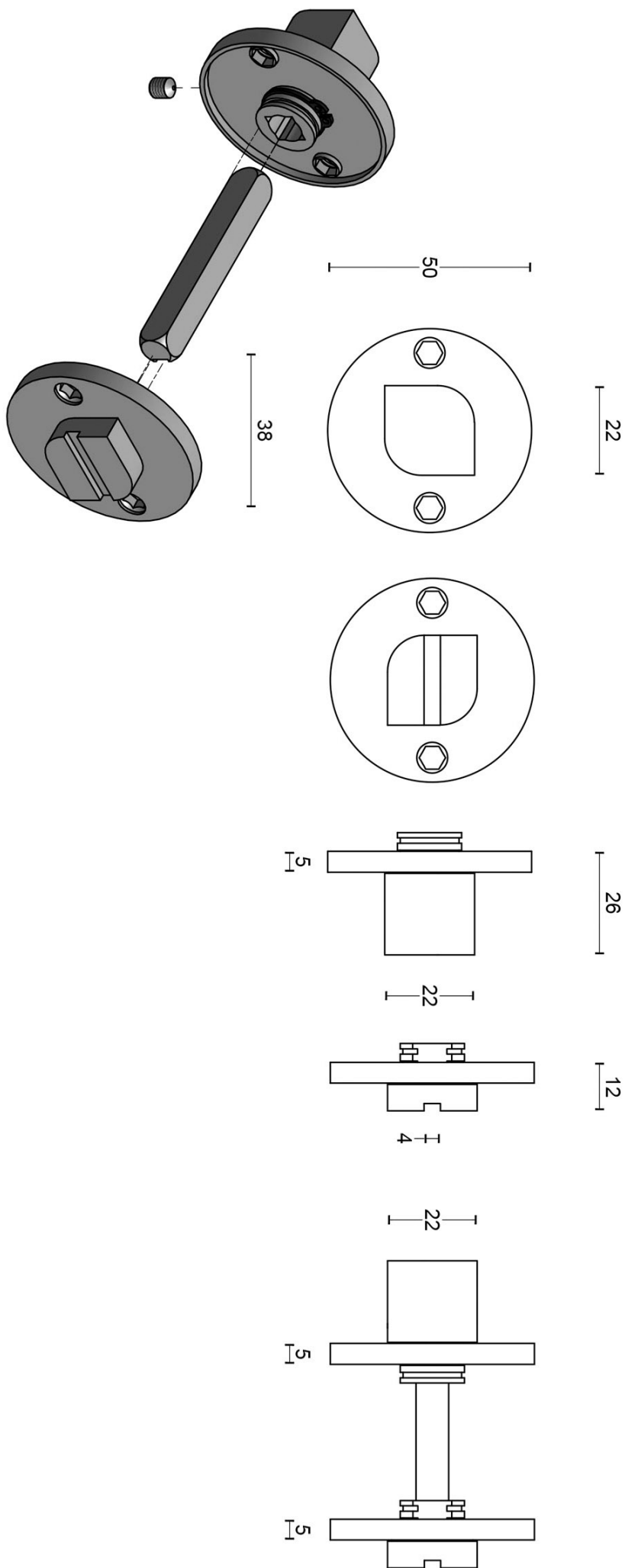
The TWO series is a total concept collection consisting of door, window, and furniture fittings.

Finishes

- satin stainless steel

PBWC23

lever handle accessory
privacy set
stainless steel



METALFORM



FORMANI®		Part number:	
Doc no.:	2701T003 PBWC23 V02.dwg	Description:	PBWC23
Drawn by:	Christian Brinbois	Creation date:	26-3-2013
Formani Holland B.V. · Amerikalaan 55 · 6199 AE Maastricht Airport · tel: +31 (0)43 308 90 00 · www.formani.nl · info@formani.nl		Format:	A3

TWO

by Piet Boon

While the design of our TWO hardware series by Piet Boon may exude simplicity, it is in fact one of the most sophisticated products in the FORMANI collection. The intersection of the lever consists of two symmetrical parts that join in the middle of two separate arteries.

Two out of three finishing combinations are with oak. The assembly of these fittings is completed with essential handwork that sees every piece of wood milled independently and fitted together with the stainless parts, like the pieces of an intricate puzzle. This complex, hand-made product is testament to many hours of hard work and dedication. The result is a truly stunning, unique design. This comprehensive collection of concepts door, window and furniture fittings is offered in three different expressions. First is the combination of stainless steel with natural oak; second is the line made from stainless steel and blackened oak; and third is the 100% stainless steel line.

TWO

by Piet Boon



METALFORM
FORMANI®



Piet Boon

Koog aan de Zaan, 1958

Design philosophy: Balancing functionality, aesthetics and individuality.

Studio Piet Boon and FORMANI believe in the beauty of simplicity combined with quality and functionality. We share the vision that doorware is an essential part of any project and gives a first impression when entering a room. It's the first handshake with the building. The clean lines and geometric designs of the FORMANI by Piet Boon collections are pure, iconic, recognizable, and yet neutral. The models originated from the vision to explore a different design language, but one which is in harmony with the identity of Studio Piet Boon.

**METALFORM
FORMANI®**

Brand story

FORMANI has evolved considerably over the last few decades – from a Dutch family business to an internationally renowned designer brand, from door handles to total design concepts, from product development to collaborations with world-class designers. It was an evolution driven by pure ambition and courage. Our motto, ‘Obsessed with details’, epitomizes everything we do, from product to process, from strategy to service. Because it is these details that make the difference between good and perfect. At FORMANI, good is the enemy of great.

Formani Holland b.v.
Europalaan 12
6199 AB
Maastricht-Airport

T: +31(0)43 308 9000
E: info@formani.com

Chamber of Commerce:
146 27 479

**METALFORM
FORMANI®**

METALFORM

MASTERS OF METAL

UNITED KINGDOM

METALFORM

NORWAYMETAL LTD

53 Chelsea Manor Street

London, SW3 5RZ

SALES@METALFORM.UK

+44 20 81298814

GERMANY

METALFORM GMBH

Carl-Zeiss-Ring 15A

85737 Ismaning

SALES@METALFORMGROUP.DE

+49 17663630406

NORWAY

METALFORM AS

Brochmannsveien 2

1950 Rømskog

SALG@METALFORM.NO

+47 401 62 446

METALFORMGROUP

SALES@METALFORMGROUP.COM